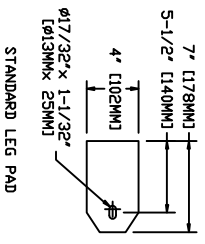
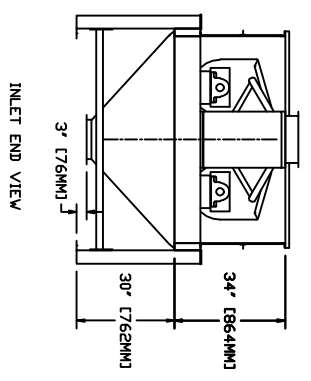
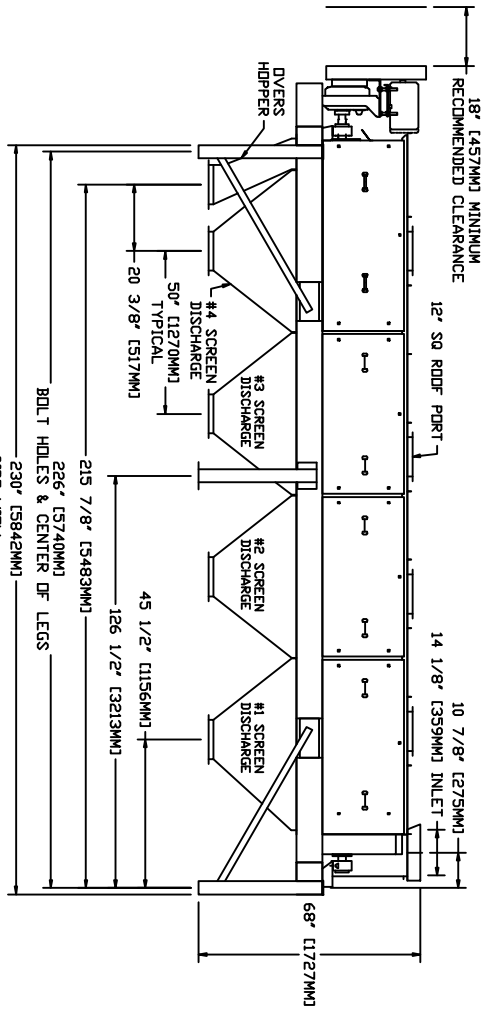
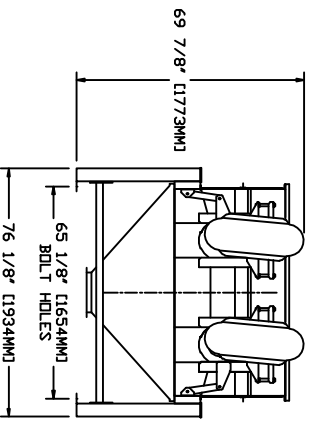
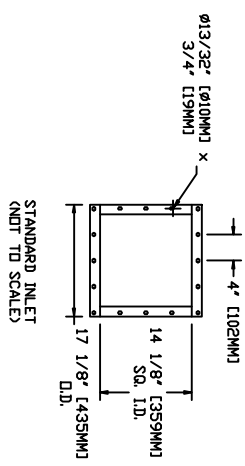


Rev	Revision note	Date	Name	Checker
1	REVISED DRAWING	11-14-2005	RDW	
2	ADD MIDDLE LEGS	04-27-2009	RAZ	
3				
4				



- NOTES:
- STANDARD CENTER DRAW HOPPERS & LEGS SHOWN. OTHER LEGS & HOPPERS ARE AVAILABLE ACCORDING TO CUSTOMER NEEDS. SIDE DRAW HOPPERS ARE OPTIONAL.
 - DIMENSIONS SUBJECT TO CHANGE.

APPROVAL SIGNATURES:

CUSTOMER: _____

CONTRACTOR: _____

Note: This document is submitted for consideration only! Not for copy or for competitive purposes. This document and all information therein remain the property of EBM Mfg Inc, 1014 Sherwood Road, Norfolk, NE 68701. All rights of design or invention are reserved.

www.gentleroll.com
www.ebmmanufacturing.com

EBM MANUFACTURING, INC.
NORFOLK, NE 68701

Drawn by RDW 08-23-2004	Checked by RAZ 09-03-2004	Printed Apr 27, 2009	Scale (1"=1'7")
----------------------------	------------------------------	-------------------------	--------------------

MODEL 24DI 4-HB

Drawing No: 24DI-4-HB