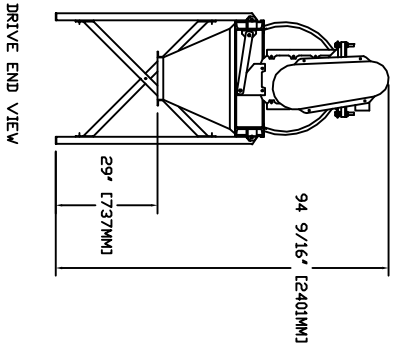
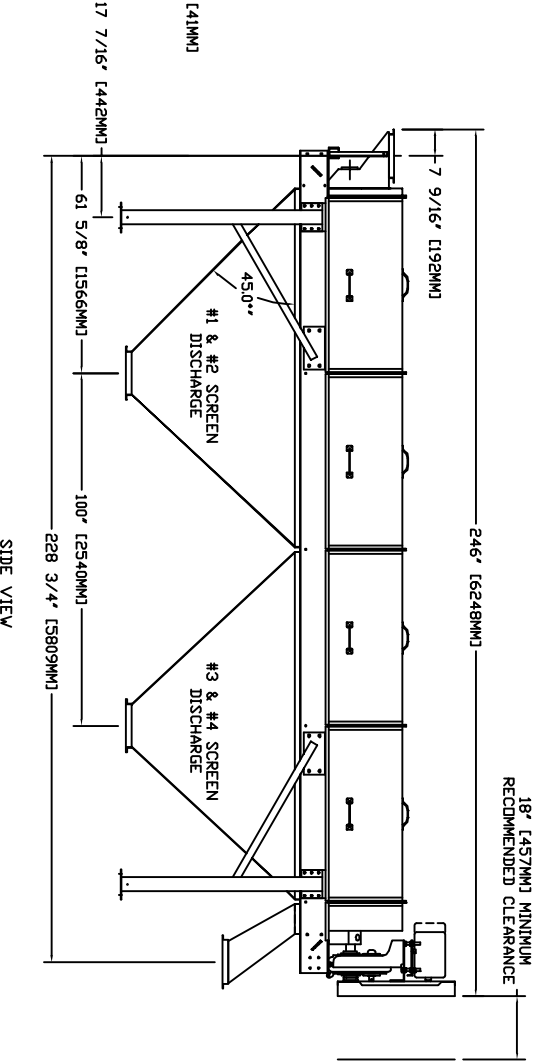
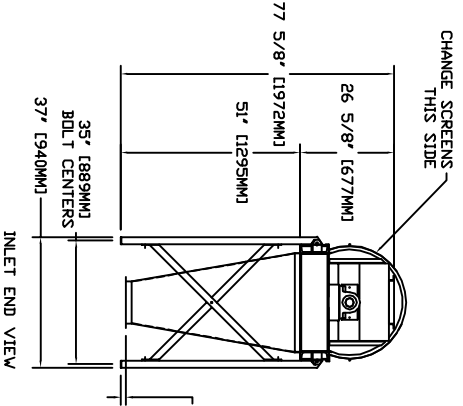
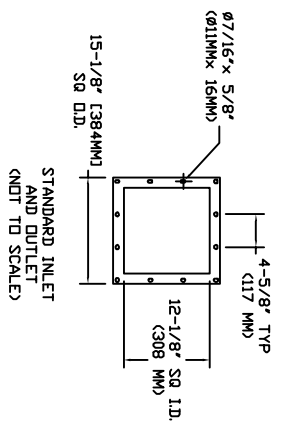
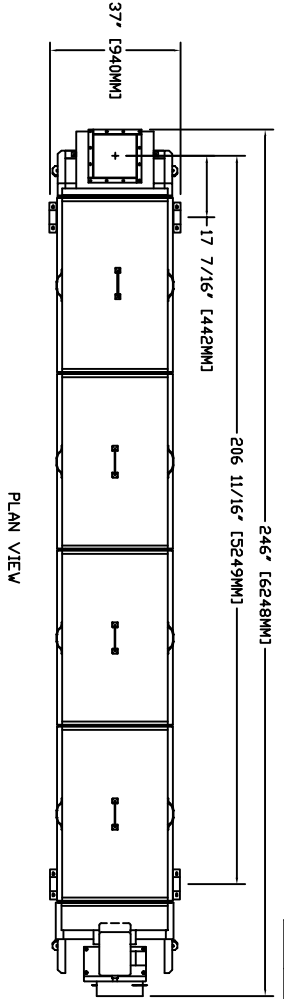
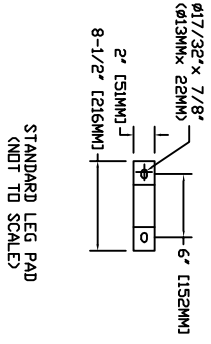


RevNo	Revision note	Date	Name	Checker
1				
2				
3				
4				



APPROVAL SIGNATURES:

CUSTOMER: _____

CONTRACTOR: _____

NOTE: This document is submitted for consideration only! Not for copy or for competitive purposes. This document and all information thereon remain the property of EBH Mfg Inc, 10 1/2 Sherwood Road, Norfolk, NE, 68701. All rights of design or invention are reserved.

www.gentleroll.com
www.ebmanufacturing.com

EBM MANUFACTURING, INC.
NORFOLK, NE 68701

Drawn by RAZ 04-09-2008
Checked by _____
Printed Aug 06, 2009
Scale (1"=17")
NTS

EBM GENTLE ROLL
MODEL 24-4-HBC Combined Hoppers
Drawing No. 24-4-HBC