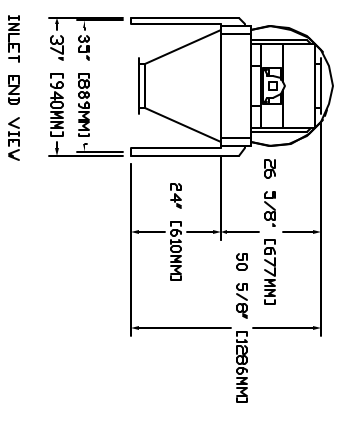
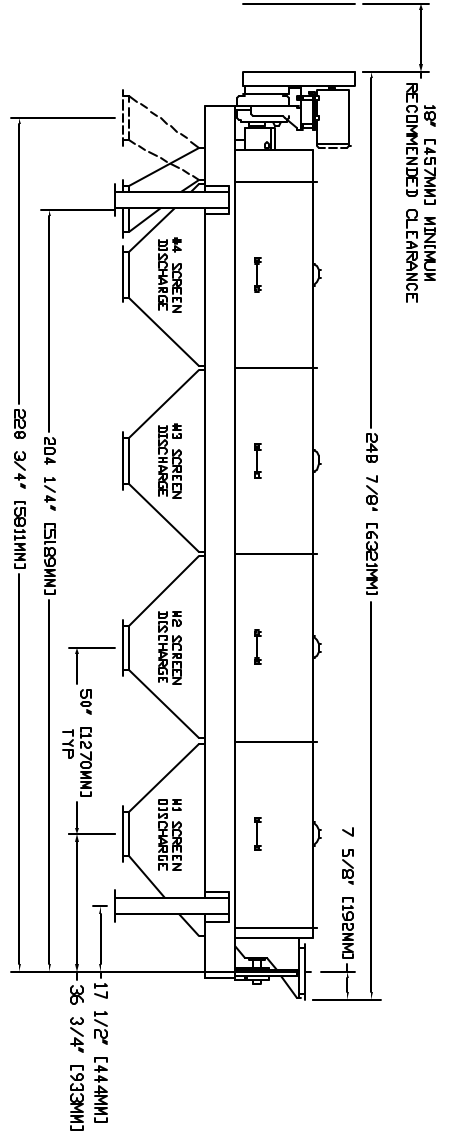
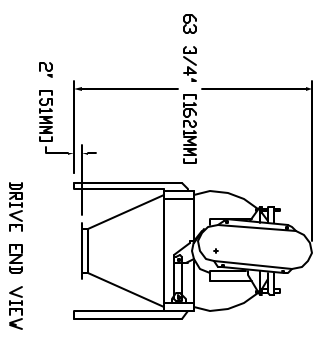
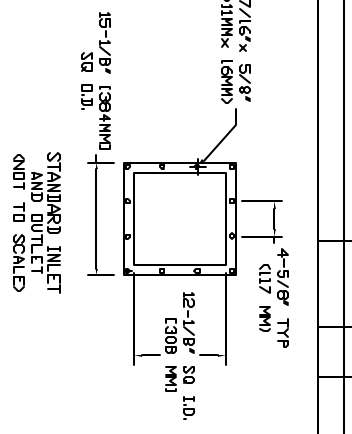
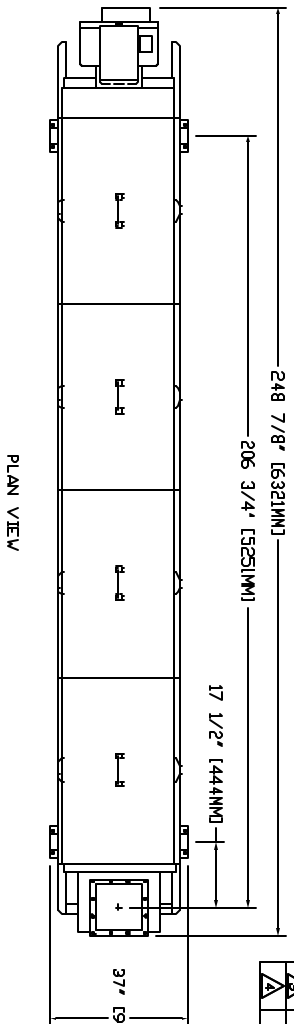
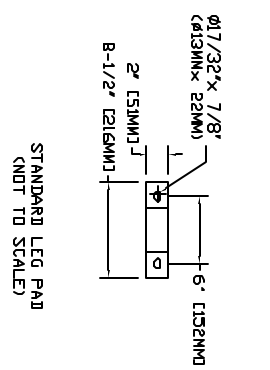


Rev#	Revision Note	Date	Name	Checker
1	DIMENSIONS UPDATED	11-27-2013	RAZ	
2	REVISED FOR NEW DRIVE	12-11-2015	ROW	
3				
4				



NOTES:  
1. STANDARD LEGS & HOPPERS SHOWN.  
OTHER LEGS AND HOPPERS ARE AVAILABLE ACCORDING TO CUSTOMER NEEDS.  
2. DIMENSIONS SUBJECT TO CHANGE.

APPROVAL SIGNATURES:  
CUSTOMER: \_\_\_\_\_  
CONTRACTOR: \_\_\_\_\_

Note: This document is submitted for consideration only. Not for copy or for competitive purposes. This document and all information therein remain the property of EBM FFG Inc., 1114 Silverwood Road, Norfolk, NE 68701. All rights of design or invention are reserved.

<a href="http://www.gentleroll.com">www.gentleroll.com</a> <a href="http://www.ebmfg.com/technology.com">www.ebmfg.com/technology.com</a>		<b>EBM MANUFACTURING, INC.</b> NORFOLK, NE 68701	
Drawn by	Checked by	Printed	Scale
LEL 19-11-2012		Nov 21, 2016	1:1 (11x17")
<b>EBM GENTLE ROLL</b> MODEL 24-4-HB		Drawing No: 24-4-HB	

FILE: EBM\NFG\CAD\GEN\TL\Reference CAD\24-4-HB.dwg