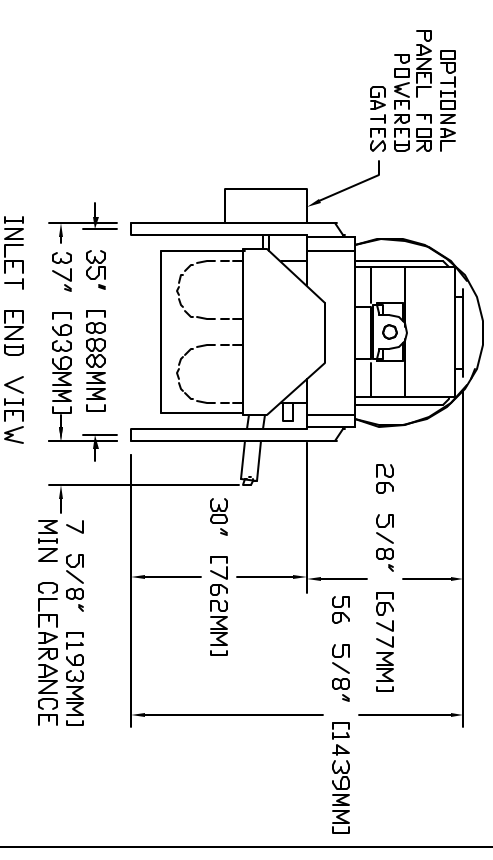
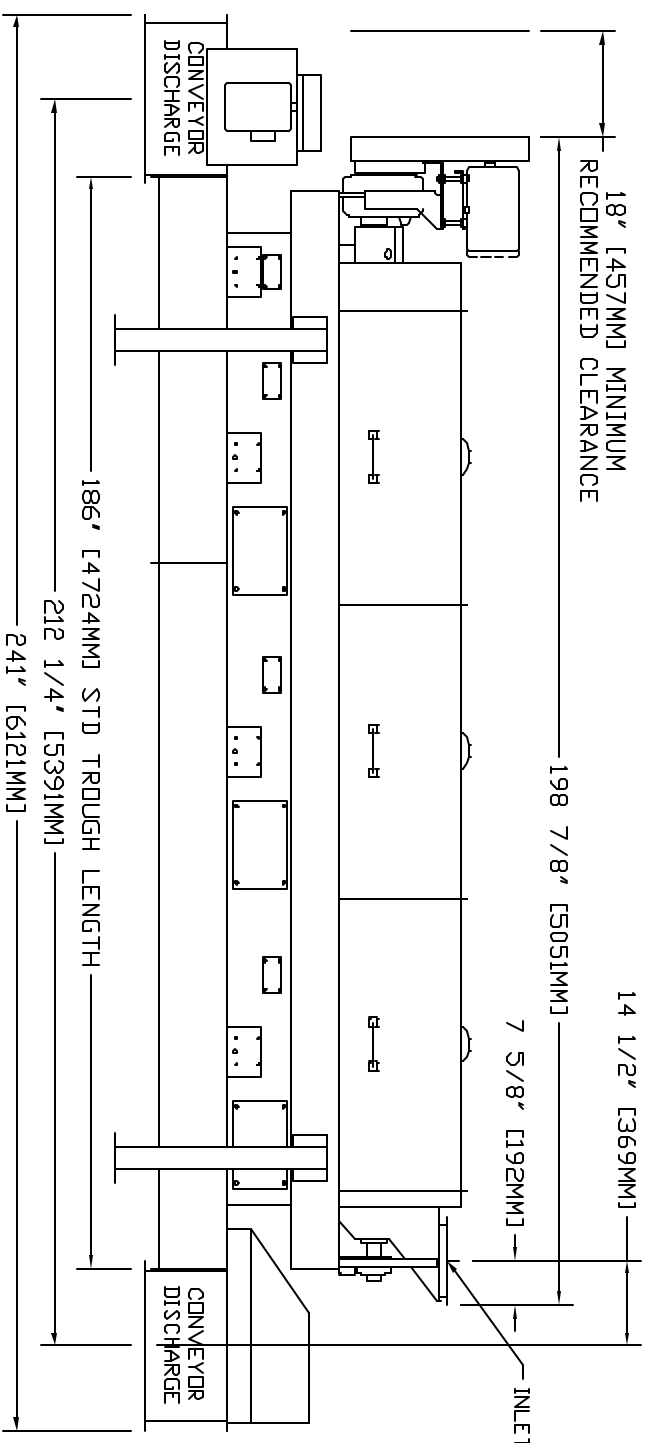
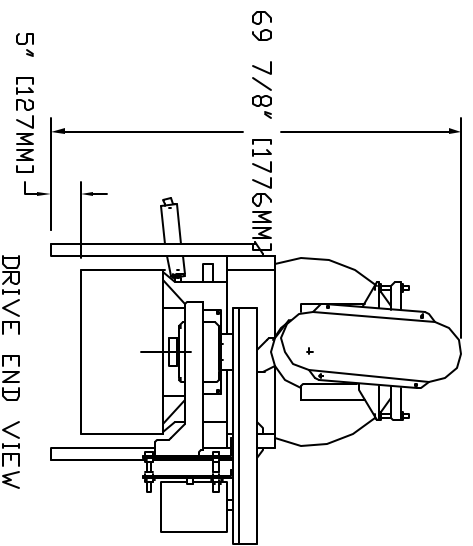
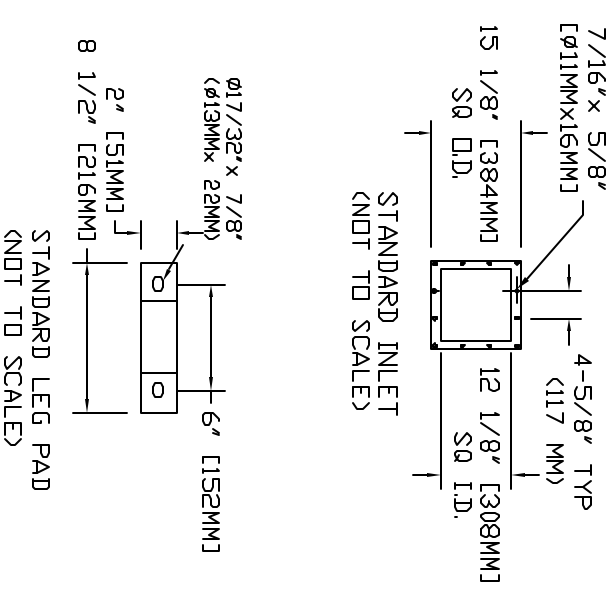
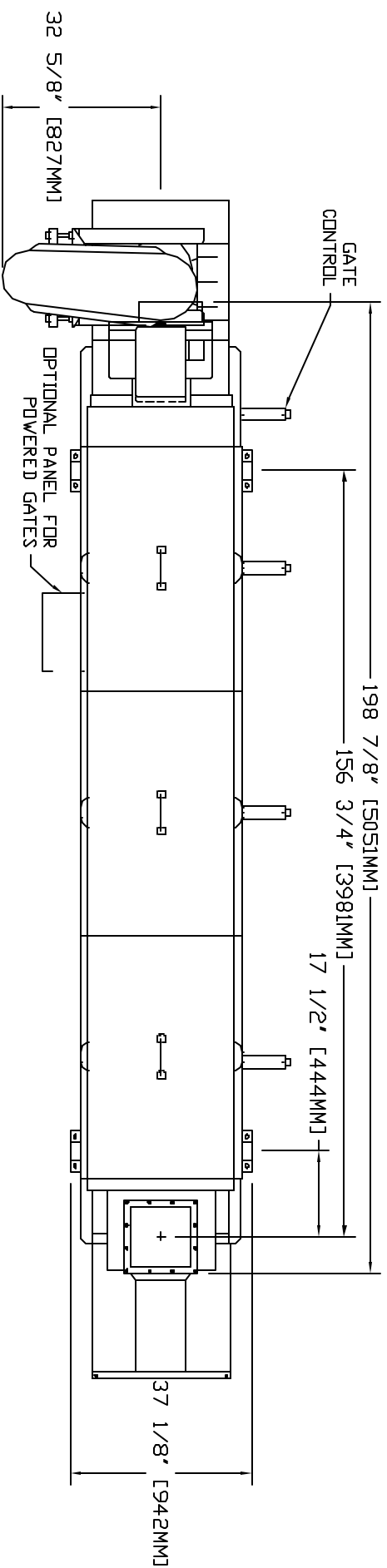
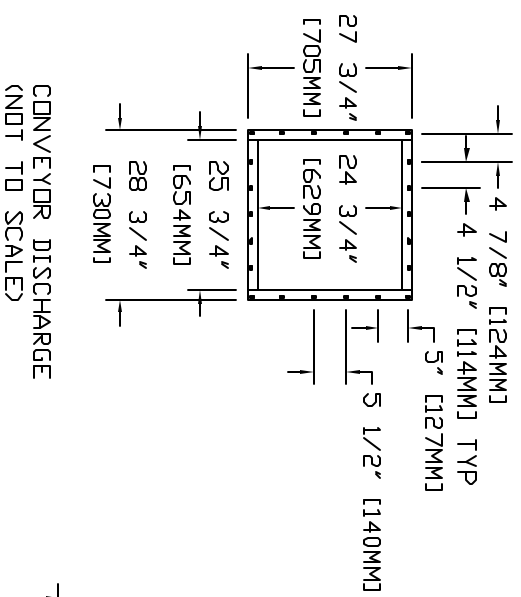


RevNo	Revision note	Date	Name	Checker
1	UPDATE FOR NEW DRIVE	12-01-2005	RDW	
2				
3				
4				



- NOTES:
1. STANDARD LEGS & DISCHARGE SHOWN. OTHER LEGS ARE AVAILABLE ACCORDING TO CUSTOMER NEEDS.
 2. INTERNAL GATE SELECTS DIRECTION OF PRODUCT FLOW INTO THE CONVEYOR.
 3. GATE CONTROLS AND OPTIONAL PANEL WILL BE INSTALLED ON SIDES SHOWN UNLESS CUSTOMER INDICATES OTHERWISE.
 4. DIMENSIONS SUBJECT TO CHANGE.

APPROVAL SIGNATURES:

CUSTOMER: _____

CONTRACTOR: _____

Note: This document is submitted for consideration only! Not for copy or for competitive purposes. This document and all information thereon remain the property of EBM Mfg Inc, 1014, Sherwood Road, Norfolk, NE, 68701. All rights of design or invention are reserved.

www.gentleroll.com		EBM MANUFACTURING, INC. NORFOLK, NE 68701	
Drawn by RAZ 14-06-2004	Checked by	Printed Nov 20, 2006	Scale 1/1"=17"
EBM GENTLE ROLL			
MODEL 24-3-9BD			
Drawing: 24-3-9BD			

FILE: F:\EBM MFG\CAD\GENTLE\Reference CAD\24-3-9BD.dwg