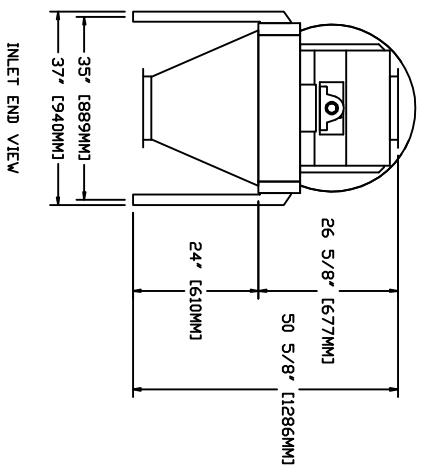
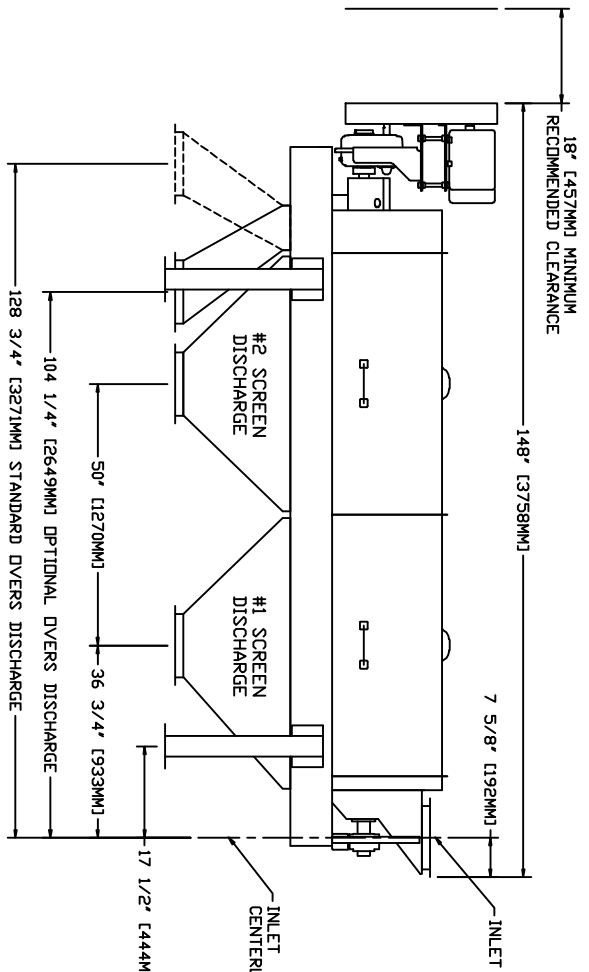
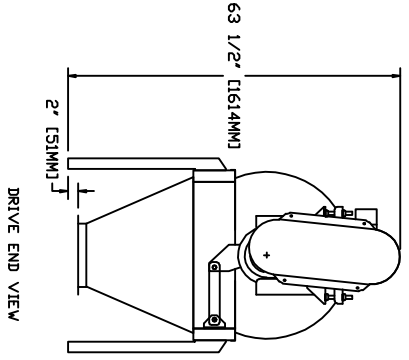
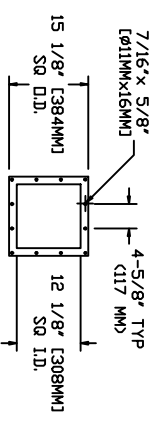
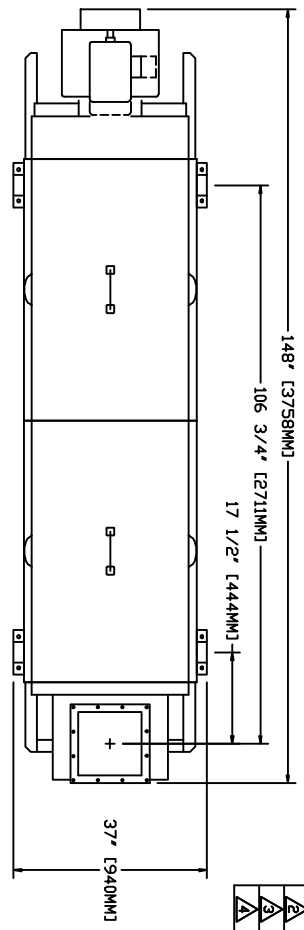
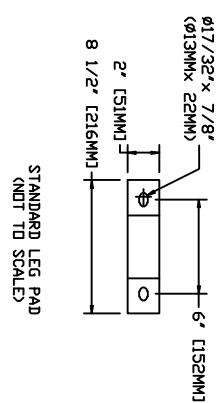


RevNo	Revision note	Date	Name	Checker
1	UPDATE DIMENSIONS	10-24-2003	RAZ	
2	UPDATED DRAWING FOR BROWNING DRIVE	07-31-2006	RDW	
3				
4				



APPROVAL SIGNATURES:

CUSTOMER: _____
 CONTRACTOR: _____

NOTES:
 1. STANDARD LEGS & HOPPERS SHOWN.
 OTHER LEGS AND HOPPERS ARE
 AVAILABLE ACCORDING TO CUSTOMER
 NEEDS.
 2. DIMENSIONS SUBJECT TO CHANGE.

Note: This document is submitted for consideration only! Not for copy or for competitive purposes. This document and all information thereon remain the property of EBM Mg Inc, 1016 Sherwood Road, Norfolk, NE, 68701. All rights of design or invention are reserved.

www.gentleroll.com
 www.ebmmanufacturing.com

EBM MANUFACTURING, INC.
 NORFOLK, NE 68701

Drawn by RAZ 03-01-2003	Checked by RAZ 05-27-2003	Printed Oct 09, 2007	Scale (11"x17") N15
----------------------------	------------------------------	-------------------------	---------------------------

MODEL Z4-2-HB
 Drawing No. Z4-2-HB