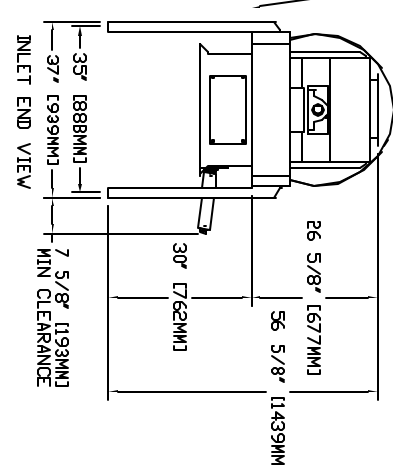
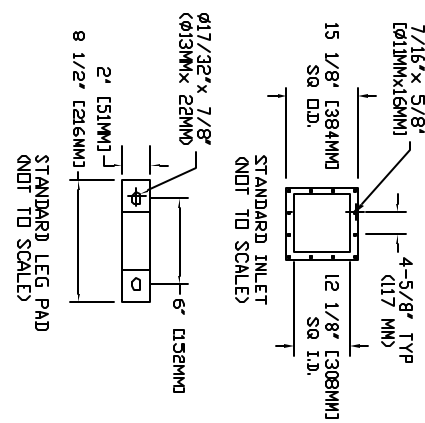
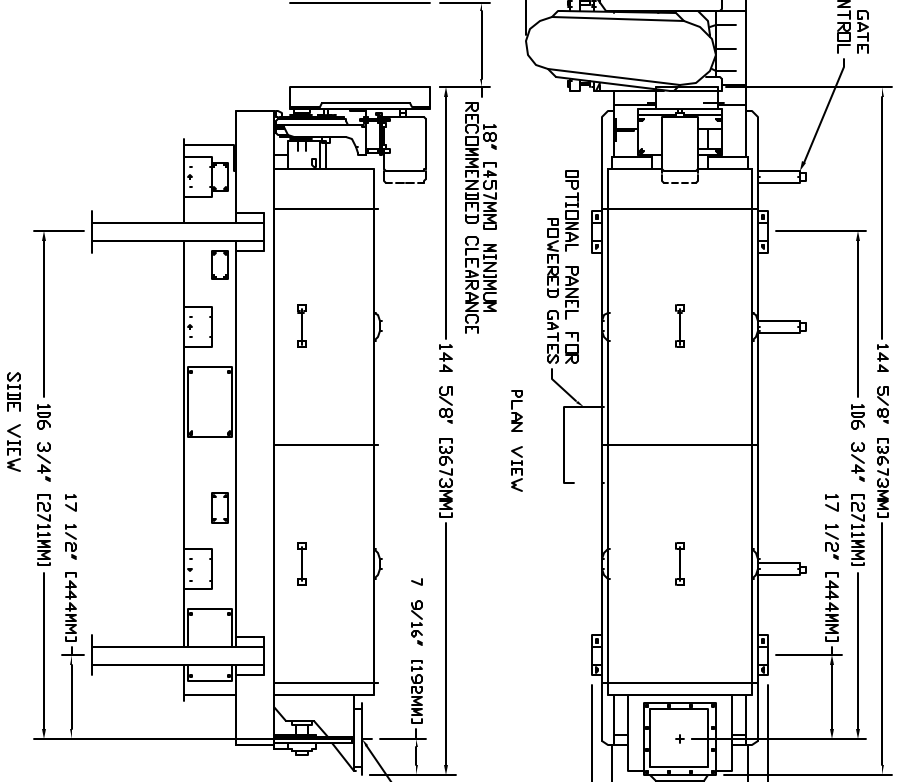
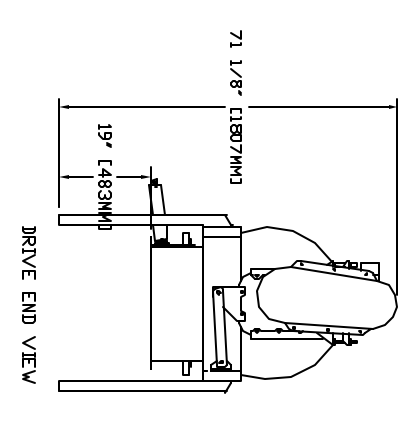
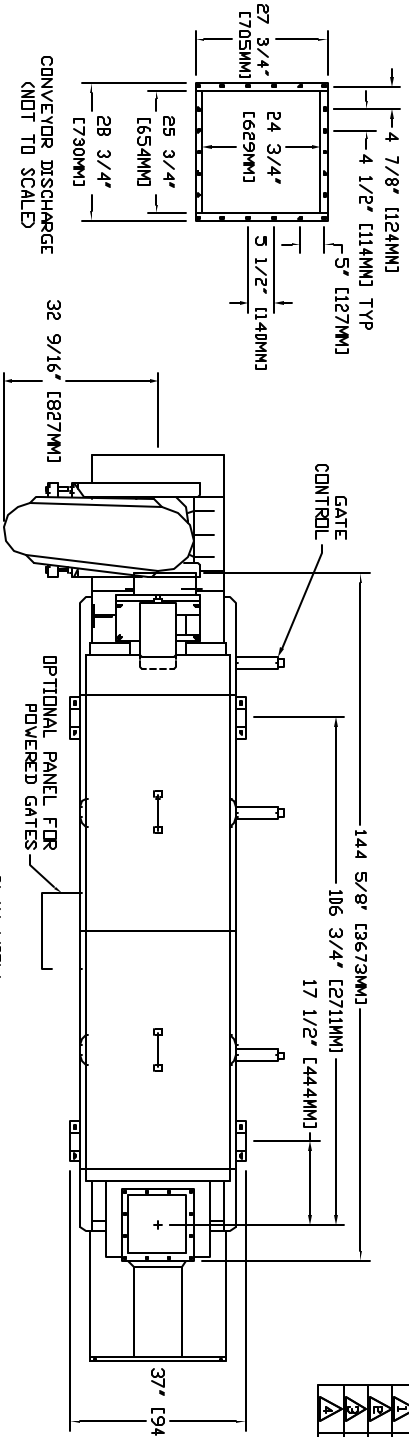


Rev#	Revision note	Date	Name	Checker
1				
2				
3				
4				



- NOTES:
- STANDARD LEGS & DISCHARGE SHOWN. OTHER LEGS ARE AVAILABLE ACCORDING TO CUSTOMER NEEDS.
  - INTERNAL GATE SELECTS DIRECTION OF PRODUCT FLOW INTO THE CONVEYOR.
  - GATE CONTROLS AND OPTIONAL PANEL WILL BE INSTALLED ON SIDES SHOWN UNLESS CUSTOMER INDICATES OTHERWISE.
  - DIMENSIONS SUBJECT TO CHANGE.

APPROVAL SIGNATURES:

CUSTOMER: \_\_\_\_\_

CONTRACTOR: \_\_\_\_\_

Note: This document is submitted for consideration only! Not for copy or for competitive purposes. The document and all information thereon remain the property of EBM, Inc. Sherwood, New York, NY. 68711. All rights of design or invention are reserved.

Drawn by RAZ 6-17-2013	Checked by EBM	Printed Nov 18, 2016	Scale 1:1
MODEL 24-2-98D			
Drawing: 24-2-98D			
<b>EBM MANUFACTURING, INC.</b> <b>NORWALK, NY 68701</b>			

FILE: EBM\NFG\CAD\GEN\TL\Reference CAD\24-2-98D.dwg